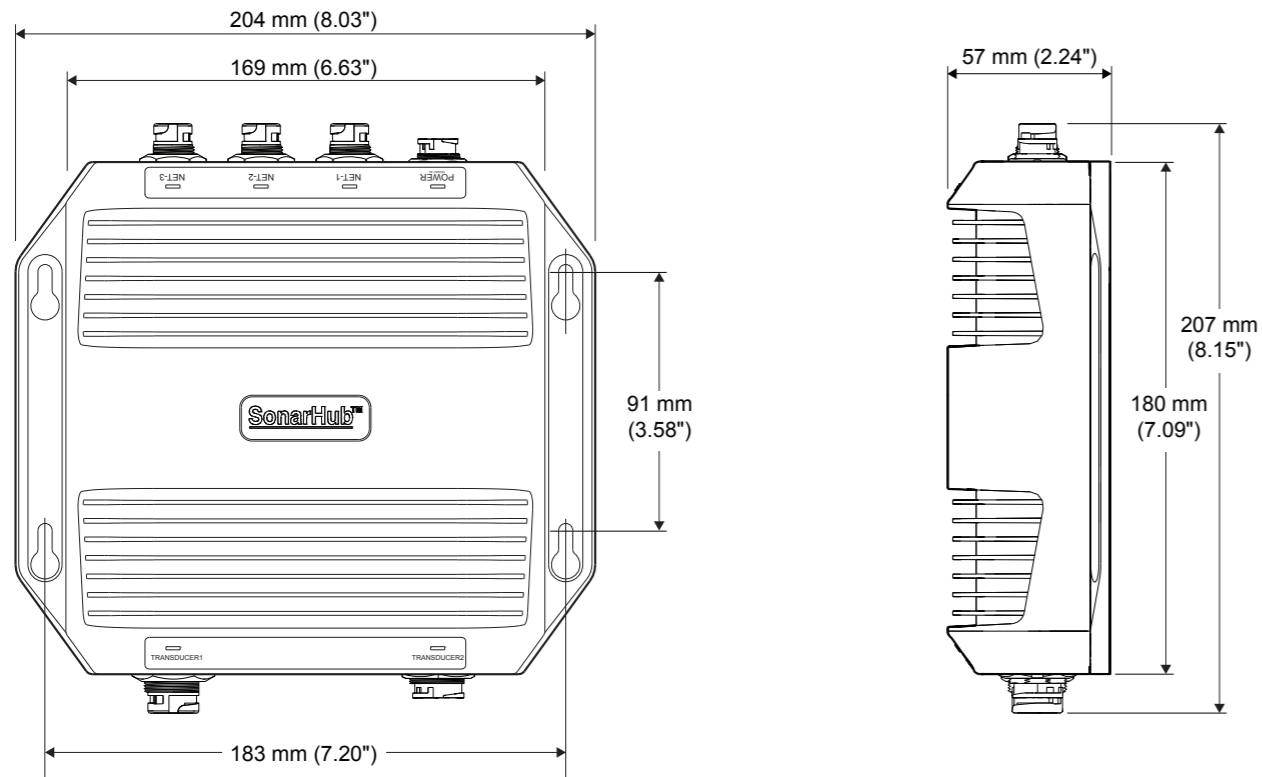


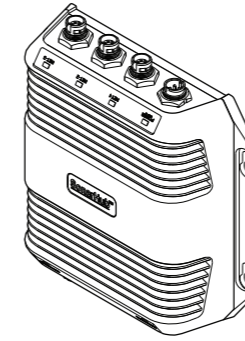
## Dimensions



LOWRANCE

SIMRAD

## SonarHub Installation Guide



For technical specifications, certificates and declarations, refer to the product web site on:



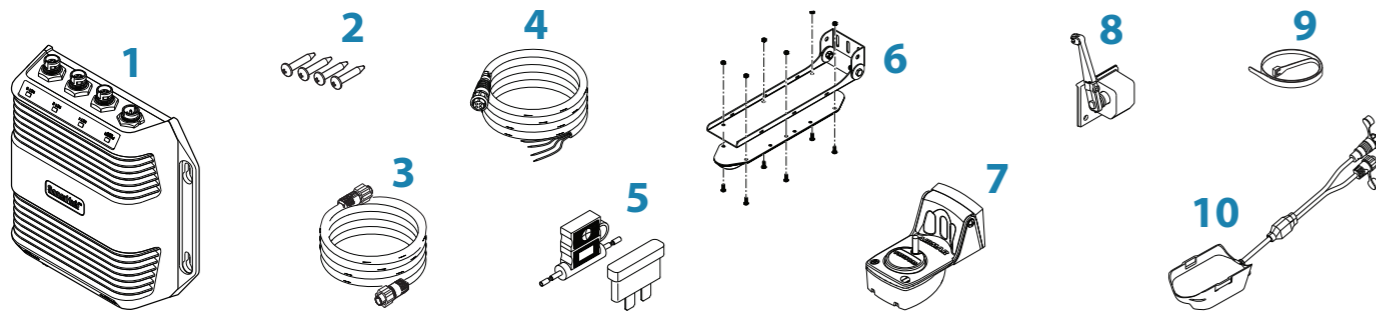
lowrance.com



simrad-yachting.com

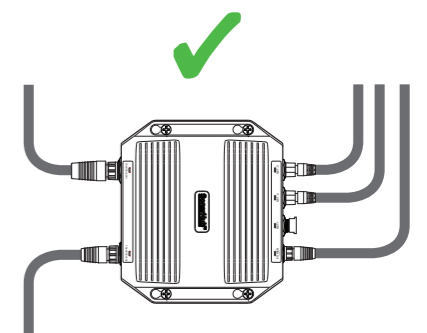
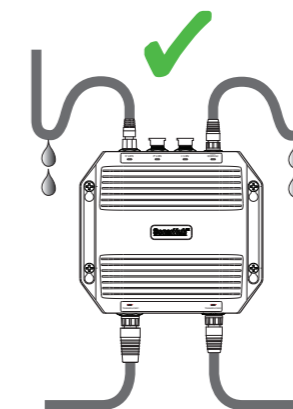
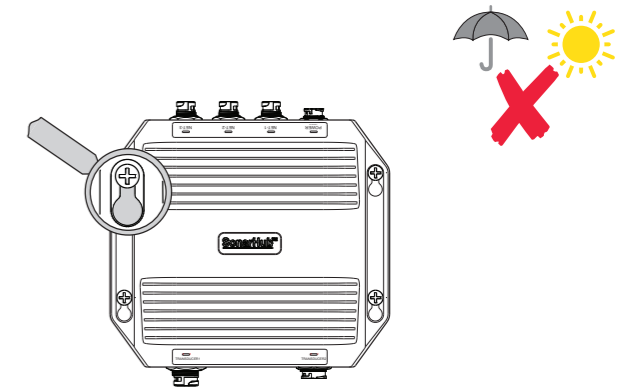
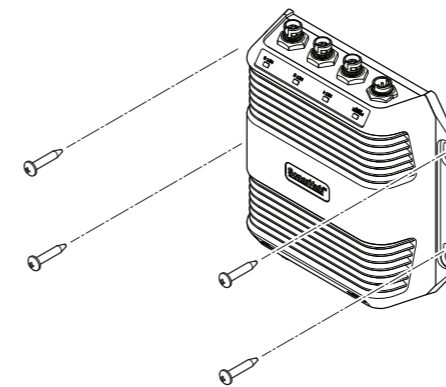


## Parts included



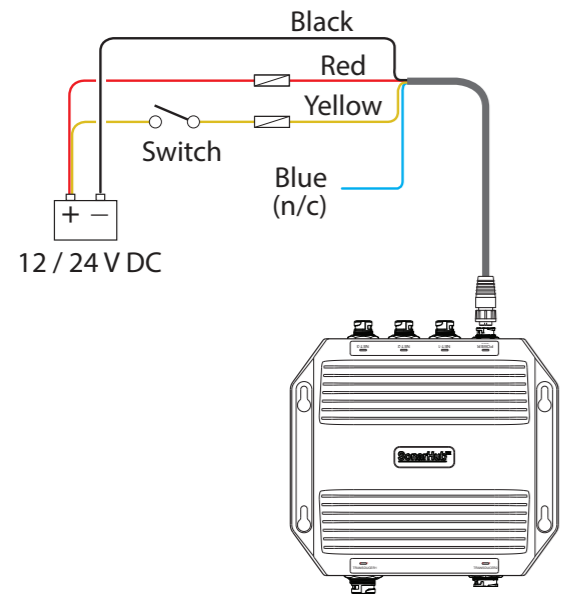
ID	DESCRIPTION	000-11142-001 SonarHub only	000-11141-001 SonarHub w/ LSS HD XDCR	000-11300-001 SonarHub w/ TM150 XDCR	000-11301-001 SonarHub w/ LSS TM150 and LSS HD XDCRs	000-11304-001 SonarHub w/ SPOTLIGHT XDCR
1	SonarHub module	1	1	1	1	1
2	SonarHub installation screws	4	4	4	4	4
3	Ethernet cable, 4 m (15 ft)	1	1	1	1	1
4	Power cable, 2 m (6.6 ft)	1	1	1	1	1
5	Fuse and Fuse holder	1	1	1	1	1
6	LSS StructureScan HD XDCR		1		1	
7	TM150 CHIRP XDCR			1	1	
8	SPOTLIGHT Heading sensor					1
9	Trolling Motor clamp					1
10	SPOTLIGHT XDCR					1

## Mounting

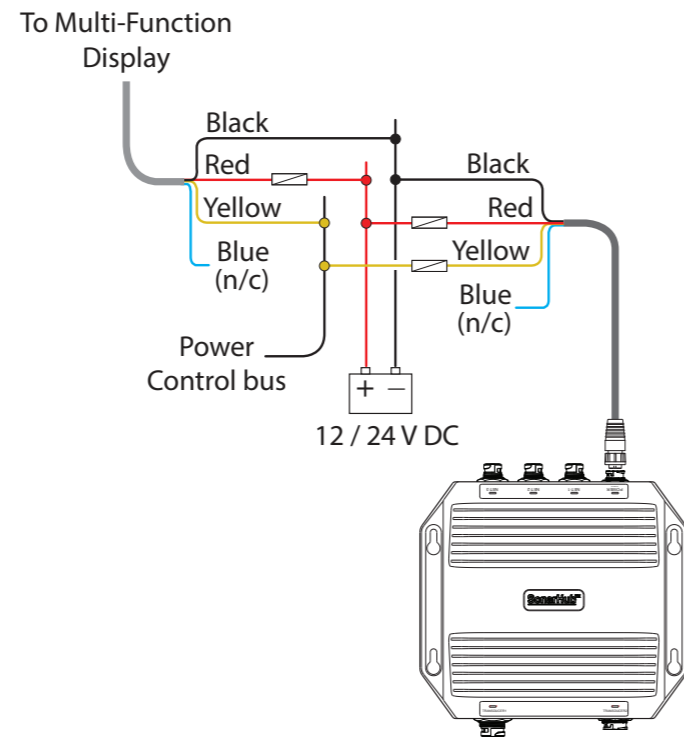


## Power

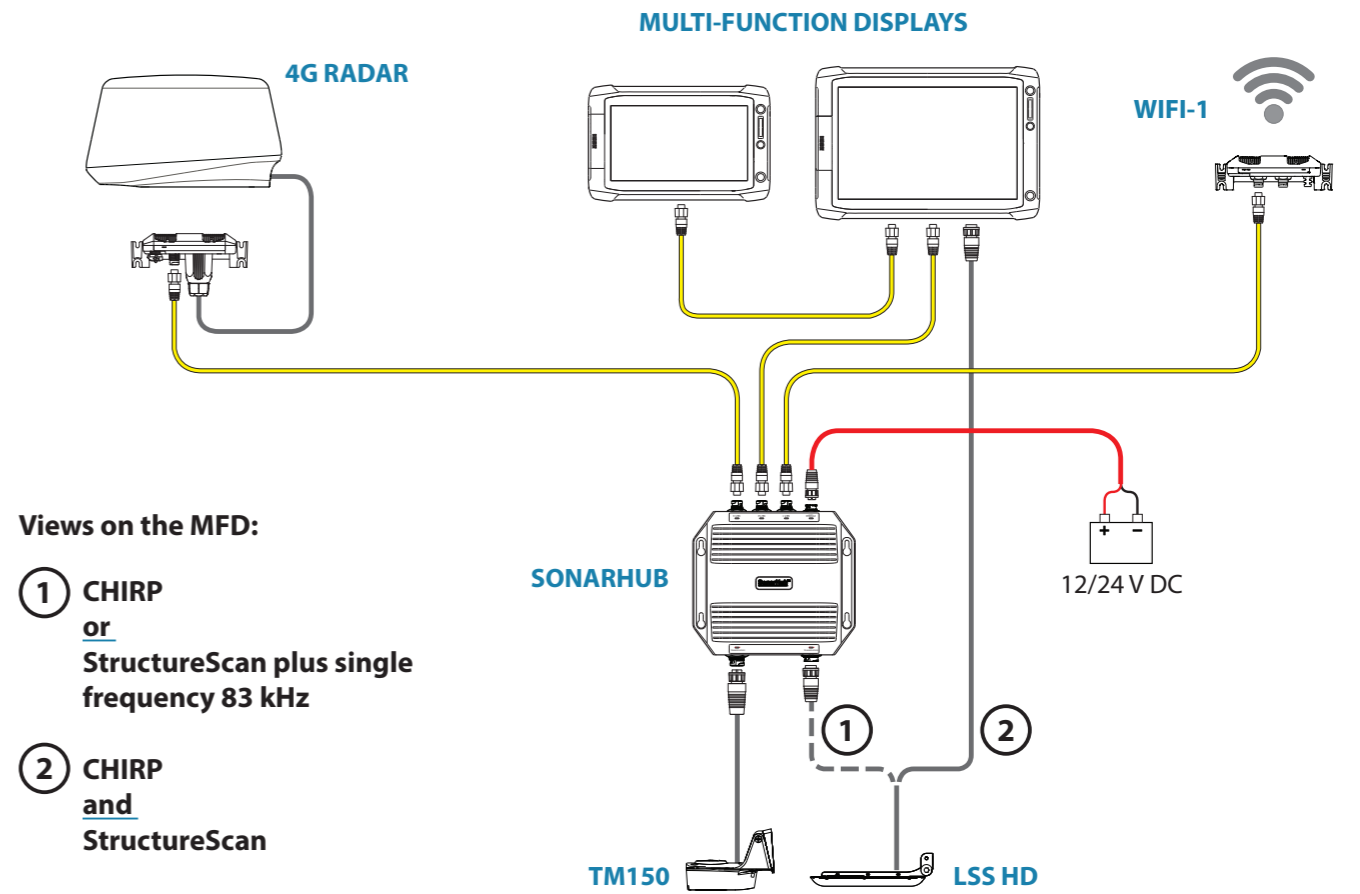
### Power controlled by External Switch



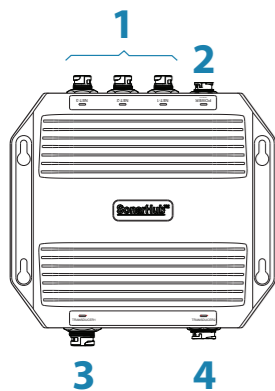
### Power controlled by Multi-Function Display



## Wiring examples



## Connectors and LEDs



ID	CONNECTORS	LEDs	
1	Ethernet	OFF	No connection
		ON/FLASHING - Green	Connected and ok
2	Power	OFF	No power
		ON - Red	System starting
		ON - Green	System operating
3	CHIRP / Broadband transducer	FLASHING Red/Green	Software error - restart unit
		OFF	Sounder not operating
		FLASHING (every second) - Green	Searching for bottom signal
4	Structure Scan HD transducer, Spotlight transducer	ON	Operational system with bottom signal detected
		OFF	Sounder not operating
		FLASHING (every second) - Green	Searching for bottom signal
		ON	Operational system with bottom signal detected

